

**BC 8030-BT
Base Station/Charger**



Quick Reference Guide

Datalogic Scanning, Inc.

959 Terry Street

Eugene, Oregon 97402

USA

Telephone: (541) 683-5700

Fax: (541) 345-7140

An Unpublished Work - All rights reserved. No part of the contents of this documentation or the procedures described therein may be reproduced or transmitted in any form or by any means without prior written permission of Datalogic Scanning, Inc. or its subsidiaries or affiliates ("Datalogic" or "Datalogic Scanning"). Owners of Datalogic products are hereby granted a non-exclusive, revocable license to reproduce and transmit this documentation for the purchaser's own internal business purposes. Purchaser shall not remove or alter any proprietary notices, including copyright notices, contained in this documentation and shall ensure that all notices appear on any reproductions of the documentation.

Should future revisions of this manual be published, you can acquire printed versions by contacting your Datalogic representative. Electronic versions may either be downloadable from the Datalogic website (www.scanning.datalogic.com) or provided on appropriate media. If you visit our website and would like to make comments or suggestions about this or other Datalogic publications, please let us know via the "Contact Datalogic" page.

Disclaimer

Datalogic has taken reasonable measures to provide information in this manual that is complete and accurate, however, Datalogic reserves the right to change any specification at any time without prior notice.

Datalogic and the Datalogic logo are registered trademarks of Datalogic S.p.A. in many countries, including the U.S.A and the E.U. All other brand and product names referred to herein may be trademarks of their respective owners.

Patents

This product is covered by US Pat. 7,948,214 B2. Additional patents pending.

Table of Contents

Installation	2
Mounting the BC 8030-BT Cradle	2
Desktop Mounting	3
Portable Desktop Use	5
Fixed Desktop Use	5
Wall Mounting	6
Applying Rapid Point-to-Point Configuration Label (Optional)	8
System Connections	8
Connecting and Disconnecting the Interface Cable	9
BC 8030-BT Configuration.....	11
Datalogic Aladdin™	11
Serial Configuration	11
Configuration Bar Codes	11
Restore Default	12
Interface Selection	12
USB Interface Selection	12
Pen Emulation Interface Selection	13
RS-232 Interface Selection	13
Wedge Interface Selection	14
Keyboard Nationality	15
Data Format Terminators	17
BC 8030-BT Default Configuration.....	17
RS-232 Default Settings	17
Operating Test.....	18
Technical Features	19
Warranty	20
Service and Support.....	23
Products	23
Service & Support	23
Contact Us	23
Compliance	24
Power Supply	24
FCC Compliance	24
Radio Compliance	24
WEEE Compliance	25

NOTES

Using the BC 8030-BT Radio Cradle

The BC 8030-BT cradle, when paired with one or more PowerScan™ BT8300 readers, builds a Cordless Reading System for the collection, decoding and transmission of bar code data. It can be connected to a Host PC via RS-232, USB, KBD Wedge or Wand, and is suited for single-cradle layouts.

The label on the cradle contains LED indicators and a multi-function button. When the button is pressed for less than 8 seconds, the cradle will act in one of two ways:

1. If not already paired with a BT8300, it will start to search for all "discoverable" BT8300 scanners in radio range; this procedure allows a link with a maximum of four PowerScan BT8300 readers

OR

2. If it already has a connection with at least one PowerScan BT8300 reader, it will transmit a "broadcast" message." When the broadcast is sent, all properly configured scanners (Radio RX Timeout must be set to keep the radio "awake") that are linked to that base and within radio range coverage will emit a beep and blink within 5 seconds. This functionality is useful to:
 - verify which scanners are linked to a certain base station
 - detect a scanner forgotten somewhere

When the button is pressed for longer than 8 seconds, all paired scanners will be unpaired.

The LEDs signal the BC 8030-BT status, as described in the following table:

LED	STATUS
Aux	Yellow On = BC 8030-BT is powered through an external power supply. Yellow Blinking = BC 8030-BT transmission occurs over the Host port.
Host	Yellow On = BC 8030-BT is powered by the Host. Yellow Blinking = BC 8030-BT transmission occurs over the Host port. OR = Attempting to find and link with PowerScan BT8300 readers.

Reader	Green On = the reader battery is completely charged. Red On = the reader battery is charging. Orange Blinking = reader battery fault - replace battery. Red / Green Alternatively Blinking = charging error - see Ref. Manual
Spare LED	Red On = the spare battery is charging. Green On = the spare battery is completely charged. Orange Blinking = spare battery fault - replace spare battery. Red/Green Alternatively Blinking = charging error - see Ref.Manual

Figure 1. Cradle Overview



Figure 2. Label



Installation

To set up your BC 8030-BT cradle you must:

1. Physically install the cradle.
2. Make all system connections.
3. Configure the BC 8030-BT cradle.

Mounting the BC 8030-BT Cradle

The cradle package contains the following items:

BC 8030-BT	1 horizontal base
BC 8030-BT Quick Reference Guide	2 wall-mounting lock hinges
2 adhesive strips	1 inclined base

The cradle can be mounted for portable or fixed desktop usage, or it can be fixed to a wall. The inclined base provides desktop and wall mounting, guaranteeing comfortable handling of the PowerScan™ BT8300 reader.

Figure 3. BC 8030-BT Cradle mounted on the Horizontal Base**Figure 4. BC 8030-BT Cradle mounted on the Inclined Base**

Desktop Mounting

For desktop usage, the cradle can be mounted either on the horizontal base, for reduced overall dimensions, or on the inclined base for a more ergonomic removal and insertion of the reader into the cradle.

Figure 5. Horizontal Base

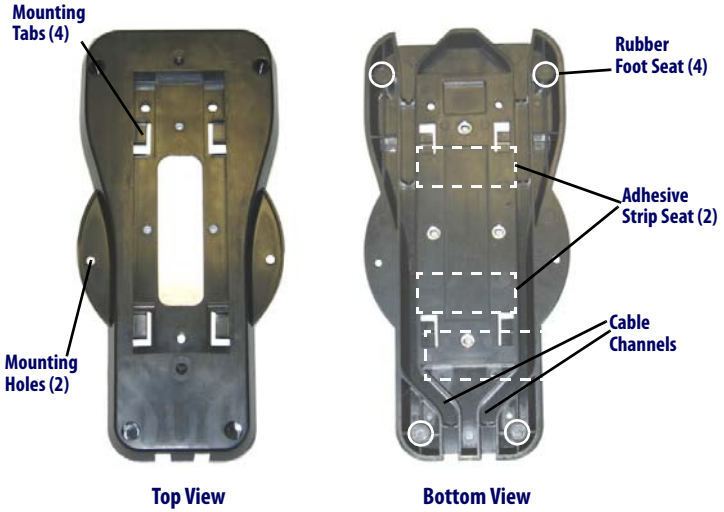
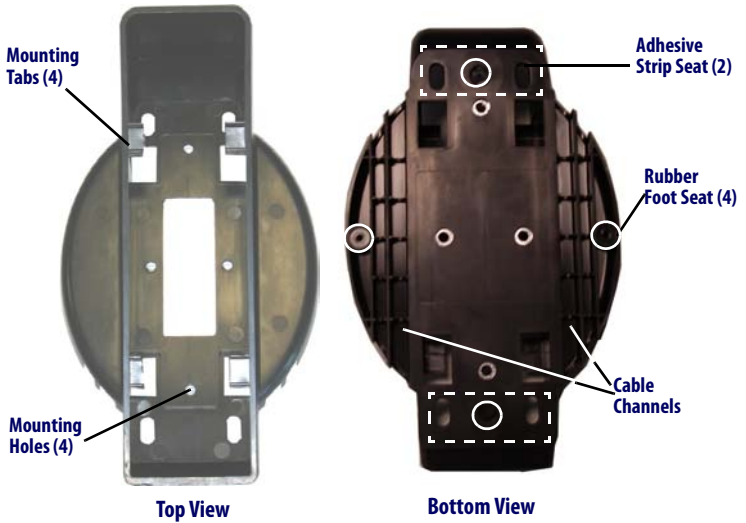
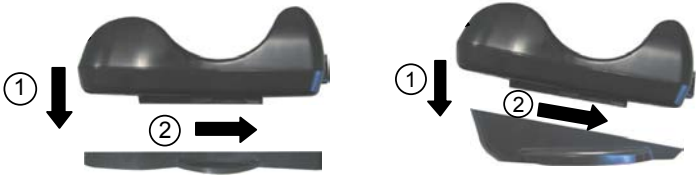


Figure 6. Inclined base



Portable Desktop Use

1. Correctly position the BC 8030-BT onto the base by sliding it along the mounting tabs until aligned.



2. Carefully clean the rubber foot seats of the base to remove any impurities that could reduce adhesion.
3. Remove the protective plastic from the rubber feet and stick them onto the bottom surface of the base.

Fixed Desktop Use

For fixed desktop installation, use the adhesive strips or fixing screws (not provided) according to your needs.

For mounting with adhesive strips:

1. Position the cradle onto the base by sliding it along the mounting tabs until aligned.
2. Carefully clean the adhesive strip seats of the base to remove any impurities that could reduce adhesion.
3. Remove the protective plastic from one side of the adhesive strips and stick them onto the base surface.
4. Position the cables to be connected to the BC 8030-BT cradle along the dedicated channels, as shown in the figures below:



Horizontal Base



Inclined Base

5. Remove the plastic from the other side of the strips and affix the base to the table.

For mounting with screws:

1. Position the cables to be connected to the BC 8030-BT cradle along the dedicated channels, as shown in the figures below:
2. Position the base on the table and affix it by means of the screws (not provided).
3. Position the cradle on the base by sliding it along the mounting tabs until aligned.

Wall Mounting

1. Remove the yellow caps and insert the two wall mounting lock hinges provided with your cradle.



2. Position the cables to be connected to the BC 8030-BT cradle along the dedicated channels (see [Figure 4](#) and [Figure 5](#)).

If using the adhesive strips:

3. Carefully clean the adhesive strip seats of the base to remove any impurities that could reduce adhesion.
4. Remove the protective plastic from one side of the adhesive strips and stick them onto the base surface.
5. Remove the plastic from the other side of the strips and affix the base to the wall as indicated in the figure below.

If using the mounting screws:

3. Using the mounting holes on the base as a pattern, mark the wall where you desire to mount the BC 8030-BT.
4. Drill the appropriate size holes and insert the threaded dowels (not provided) into the holes.
5. Position the base on the wall as indicated in the figure below and affix it by means of the screws (not provided).

6. Attach the cradle on the base by sliding it along the mounting tabs until aligned.
7. If mounting the BC 8030-BT cradle, insert the antenna in the appropriate hole on the body of the cradle and screw it clockwise until tight.



Applying Rapid Point-to-Point Configuration Label (Optional)



A pre-printed bar code label is included in the package for rapid configuration of point-to-point applications. If you wish to use this method, apply this label to the seat provided on the BC 8030-BT cradle as shown in the figure. Up to four scanners can be linked to the same base. See the PowerScan™ BT8300 Quick Reference Manual for the configuration procedure.

System Connections



Connections should always be made with power off!

CAUTION

The BC 8030-BT cradle provides a multi-interface connector and a power supply connector as shown:



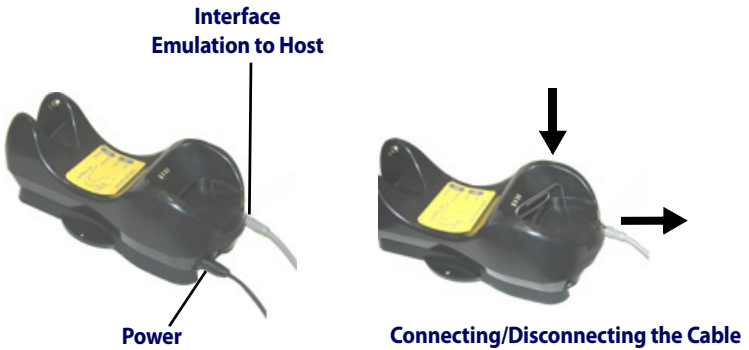
Power Supply

Multi-Interface Connector

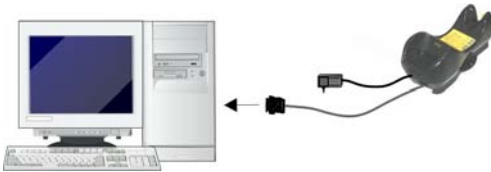
Connecting and Disconnecting the Interface Cable

The BC 8030-BT can be connected to a Host by means of a multi-interface cable, which must be simply plugged into the Host connector, visible on the front panel of the cradle.

To disconnect the cable, insert a paper clip or other similar object into the hole corresponding to the Host connector on the body of the cradle. Push down on the clip while unplugging the cable. Refer to the following figures:



RS-232

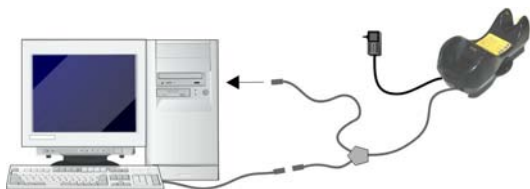


Connecting the Interface Cable (continued)

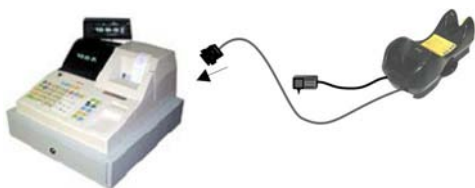
USB



WEDGE



PEN



BC 8030-BT Configuration

The BC 8030-BT configuration can be performed in three ways: by using the Datalogic Aladdin™ software configuration program, by sending configuration strings from the Host PC via the RS-232 or USB-COM interface or by reading configuration bar codes with the PowerScan™ BT8300 reader.

Datalogic Aladdin™

Datalogic Aladdin™ is a multi-platform utility program that provides a quick and user-friendly configuration method via the RS-232/USB-COM interface. It also allows upgrading the software of the connected device (see the Datalogic Aladdin™ Help On-Line for more details).

Serial Configuration

By connecting the BC 8030-BT to a PC through an RS-232 or USB-COM interface cable it is possible to send configuration strings from the PC to BC 8030-BT.

Configuration Bar Codes

Link the cradle and the reader using the procedures described in the PowerScan™ BT8300 Quick Reference. Once the pairing is complete, you can configure the BC 8030-BT cradle by reading configuration bar codes.

To configure the BC 8030-BT using the PowerScan™ BT8300 reader (paired to the cradle with the Bind command), follow the procedure according to the interface selected.

Restore Default



Scanning this bar code will RESET all settings for the PowerScan BT8300. Any customized settings that may have been applied to the reader will be lost.

To change the defaults refer to the PowerScan™ BT8300 Reference Manual, or to the Datalogic Aladdin™ Configuration program, both downloadable from the Datalogic website.

Interface Selection

Select one of the interface codes below according to your application.

USB Interface Selection

USB-KBD



USB-KBD - ALT-mode



USB-COM*



USB-IBM-Hand Held



USB Interface Selection (continued)

USB-IBM Table top



USB KBD-APPLE



*When configuring USB-COM, the relevant files and drivers must be installed from the USB Device Installation Software, which can be downloaded from the web site <http://www.scanning.datalogic.com>.

Pen Emulation Interface Selection

PEN



RS-232 Interface Selection

RS-232 Standard



Nixdorf Mode A



Fujitsu



ICL Mode



Wedge Interface Selection

Wedge IBM AT or PS/2 PCs



PC Notebook



PC Notebook - ALT mode



IBM AT - ALT mode



Interfaces for IBM XT and IBM Terminals 3151, 347X and 348X can be selected from the PowerScan BT8300 Reference Manual available online at <http://www.scanning.datalogic.com>.

Keyboard Nationality

USB-KBD and Wedge users should select one of the following wedge keyboard nationality codes according to your keyboard.

Belge



Deutsch



English



Español



Français



Italiano



Svenskt



USA (Default)



The following Keyboard Nationality selections are only valid for IBM AT compatible PCs:

Japanese



Russian (Latin)



Russian (Cyrillic)



Hungarian



Slovenian, Croatian, Serbian (Latin)



Romanian



Czech Republic



Data Format Terminators

For your convenience, some common Terminators are given below. For other Header/Terminators selections, Data Format and Advanced Data Format parameters see the PowerScan™ BT8300 Reference Manual.

CR-LF



Enter



Tab



None



BC 8030-BT Default Configuration

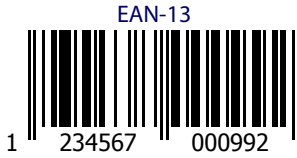
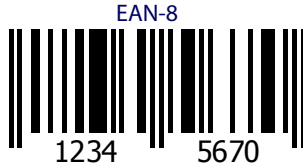
RS-232 Default Settings

9600 baud, no parity, 8 data bits, 1 stop bit, no handshaking, delay disabled.

DATA FORMAT: code identifier disabled, code length not transmitted, character replacement disabled, reader and cradle address stamping disabled, reader and cradle address delimiter disabled, time stamping disabled, time stamping delimiter disabled, no header, terminator = CR-LF.

Operating Test

Read the TEST codes below.



YOUR SYSTEM IS NOW READY TO READ CODES AND TO SEND THE DATA TO THE HOST.

Technical Features

Electrical Features	
Supply Voltage External Power Host Power	10 - 30 VDC 5 VDC ±10%
Power Consumption External Power Host Power	max. 10 W (charging) * max. 500 mA (charging)
Indicators	Ext. Power/Data yellow LED Host Power/Data yellow LED Reader batt. state green/red LED Spare batt. state green/red LED beeper
Time of Recharge External Power Host Power	max. 4 hours with 2150 mAh Li-Ion battery max. 10 hours with 2150 mAh Li-Ion battery
Bluetooth Features	
Protocol	Bluetooth 2.0; Class 1 or Class 2 configurable; SPP (Serial Port Profile) or HID (Human Interface Device) profile
Radio Frequency	2.40 to 2.48 GHz
Environmental Features	
Working Temperature Radio Battery Charging	-20° to +50 °C / -4 to +122 °F 0° to +40 °C / +32° to +104 °F
Storage Temperature	-20° to +70 °C / -4 to +158 °F
Humidity	90% non condensing
Protection Class	IP40
Mechanical Features	
Weight without mounting base	about 380 g / 13.4 oz
Dimensions (without antenna)	240 x 108 x 95 mm / 9.44 x 4.25 x 3.74 in
Material	ABS

* Having a switching regulator inside, the BC 8030-BT draws the same power, regardless of the supply voltage. i.e. as the input voltage increases the current drawn decreases

System Configuration	BC 8030-BT
Max number of devices per base station	4

Warranty

Datalogic warrants this product against defects in workmanship and materials, for a period of 3 years from the date of shipment, provided that the product is operated under normal and proper conditions.

Datalogic Scanning Limited Factory Warranty

Warranty Coverage

Datalogic Scanning (“Datalogic”) hardware products are warranted against defects in material and workmanship under normal and proper use. The liability of Datalogic under this warranty is limited to furnishing the labor and parts necessary to remedy any defect covered by this warranty and restore the product to its normal operating condition. Repair or replacement of product during the warranty does not extend the original warranty term. Products are sold on the basis of specifications applicable at the time of manufacture and Datalogic has no obligation to modify or update products once sold.

If Datalogic determines that a product has defects in material or workmanship, Datalogic shall, at its sole option repair or replace the product without additional charge for parts and labor, or credit or refund the defective products duly returned to Datalogic. To perform repairs, Datalogic may use new or reconditioned parts, components, subassemblies or products that have been tested as meeting applicable specifications for equivalent new material and products. Customer will allow Datalogic to scrap all parts removed from the repaired product. The warranty period shall extend from the date of shipment from Datalogic for the duration published by Datalogic for the product at the time of purchase (Warranty period). Datalogic warrants repaired hardware devices against defects in workmanship and materials on the repaired assembly for a 90 day period starting from the date of shipment of the repaired product from Datalogic or until the expiration of the original warranty period, whichever is longer. Datalogic does not guarantee, and it is not responsible for, the maintenance of, damage to, or loss of configurations, data, and applications on the repaired units and at its sole discretion can return the units in the “factory default” configuration or with any software or firmware update available at the time of the repair (other than the firmware or software installed during the manufacture of the product). Customer accepts responsibility to maintain a back up copy of its software and data.

Warranty Claims Process

In order to obtain service under the Factory Warranty, Customer must notify Datalogic of the claimed defect before the expiration of the applicable Warranty period and obtain from Datalogic a return authorization number (RMA) for return of the product to a designated Datalogic service center. If Datalogic determines Customer's claim is valid, Datalogic will repair or replace product without additional charge for parts and labor. Customer shall be responsible for packaging and shipping the product to the designated Datalogic service center, with shipping charges prepaid. Datalogic shall pay for the return of the product to Customer if the shipment is to a location within the country in which the Datalogic service center is located. Customer shall be responsible for paying all shipping charges, duties, taxes, and any other charges for products returned to any other locations. Failure to follow the applicable RMA policy, may result in a processing fee. Customer shall be responsible for return shipment expenses for products which Datalogic, at its sole discretion, determines are not defective or eligible for warranty repair.

Warranty Exclusions

The Datalogic Factory Warranty shall not apply to:

- (i) any product which has been damaged, modified, altered, repaired or upgraded by other than Datalogic service personnel or its authorized representatives;
- (ii) any claimed defect, failure or damage which Datalogic determines was caused by faulty operations, improper use, abuse, misuse, wear and tear, negligence, improper storage or use of parts or accessories not approved or supplied by Datalogic;
- (iii) any claimed defect or damage caused by the use of product with any other instrument, equipment or apparatus;
- (iv) any claimed defect or damage caused by the failure to provide proper maintenance, including but not limited to cleaning the upper window in accordance with product manual;
- (v) any defect or damage caused by natural or man-made disaster such as but not limited to fire, water damage, floods, other natural disasters, vandalism or abusive events that would cause internal and external component damage or destruction of the whole unit, consumable items;

- (vi) any damage or malfunctioning caused by non-restoring action as for example firmware or software upgrades, software or hardware reconfigurations etc.;
- (vii) the replacement of upper window/cartridge due to scratching, stains or other degradation and/or
- (viii) any consumable or equivalent (e.g., cables, power supply, batteries, keypads, touch screen, triggers etc.).

No Assignment

Customer may not assign or otherwise transfer its rights or obligations under this warranty except to a purchaser or transferee of product. No attempted assignment or transfer in violation of this provision shall be valid or binding upon Datalogic.

DATALOGIC'S LIMITED WARRANTY IS IN LIEU OF ALL OTHER WARRANTIES, EXPRESS OR IMPLIED, ORAL OR WRITTEN, STATUTORY OR OTHERWISE, INCLUDING, WITHOUT LIMITATION, ANY IMPLIED WARRANTIES OF MERCHANTABILITY, FITNESS FOR A PARTICULAR PURPOSE, OR NON-INFRINGEMENT. DATALOGIC SHALL NOT BE LIABLE FOR ANY DAMAGES SUSTAINED BY CUSTOMER ARISING FROM DELAYS IN THE REPLACEMENT OR REPAIR OF PRODUCTS UNDER THE ABOVE. THE REMEDY SET FORTH IN THIS WARRANTY STATEMENT IS THE CUSTOMER'S SOLE AND EXCLUSIVE REMEDY FOR WARRANTY CLAIMS. UNDER NO CIRCUMSTANCES WILL DATALOGIC BE LIABLE TO CUSTOMER OR ANY THIRD PARTY FOR ANY LOST PROFITS, OR ANY INCIDENTAL, CONSEQUENTIAL IN-DIRECT, SPECIAL OR CONTINGENT DAMAGES REGARDLESS OF WHETHER DATALOGIC HAD ADVANCE NOTICE OF THE POSSIBILITY OF SUCH DAMAGES.

Risk of Loss

Customer shall bear risk of loss or damage for product in transit to Datalogic. Datalogic shall assume risk of loss or damage for product in Datalogic's possession. In the absence of specific written instructions for the return of product to Customer, Datalogic will select the carrier, but Datalogic shall not thereby assume any liability in connection with the return shipment.

Service and Support

Datalogic provides several services as well as technical support through its website. Log on to **www.scanning.datalogic.com** and click on the links indicated for further information including:

Products

Search through the links to arrive at your product page where you can download specific **Manuals** and **Software & Utilities** including:

- **Datalogic Aladdin™**, a multi-platform utility program that allows device configuration using a PC. It provides RS-232 interface configuration as well as configuration bar code printing.

Service & Support

- **Technical Support** - Product documentation and programming guides and Technical Support Department in the world
- **Service Programs** - Warranty Extensions and Maintenance Agreements
- **Repair Services** - Flat Rate Repairs and Return Material Authorization (RMA) Repairs.
- **Downloads** - Manuals & Documentation, Data Sheets, Product Catalogues, etc.

Contact Us

Information Request Form and Sales & Service Network

Compliance

This device must be opened by qualified personnel only.

Power Supply

This device is intended to be supplied by a UL Listed/CSA Certified Power Unit marked "Class 2" or LPS power source rated 10-30 V DC, minimum 1 A, which supplies power directly to the cradle.

FCC Compliance

Modifications or changes to this equipment without the expressed written approval of Datalogic could void the authority to use the equipment.

This device complies with PART 15 of the FCC Rules. Operation is subject to the following two conditions: (1) This device may not cause harmful interference, and (2) this device must accept any interference received, including interference which may cause undesired operation.

This device contains FCC ID U4F0020.

Radio Compliance

Contact the competent authority responsible for the management of radio frequency devices of your country to verify any possible restrictions or licenses required.

Refer to the web site <http://europa.eu.int/comm/enterprise/rttel/spectr.htm> for further information.



WEEE Compliance



Waste Electrical and Electronic Equipment (WEEE) Statement

English

For information about the disposal of Waste Electrical and Electronic Equipment (WEEE), please refer to the website at www.scanning.datalogic.com.

Italian

Per informazioni sullo smaltimento delle apparecchiature elettriche ed elettroniche consultare il sito Web www.scanning.datalogic.com.

French

Pour toute information relative à l'élimination des déchets électroniques (WEEE), veuillez consulter le site Internet www.scanning.datalogic.com.

German

Informationen zur Entsorgung von Elektro- und Elektronik- Altgeräten (WEEE) erhalten Sie auf der Webseite www.scanning.datalogic.com.

Spanish

Si desea información acerca de los procedimientos para el desecho de los residuos del equipo eléctrico y electrónico (WEEE), visite la página Web www.scanning.datalogic.com.

Portuguese

Para informações sobre a disposição de Sucatagem de Equipamentos Eléctricos e Eletrónicos (WEEE - Waste Electrical and Electronic Equipment), consultar o site web www.scanning.datalogic.com.

Chinese

有关处理废弃电气电子设备 (WEEE) 的信息, 请参考 Datalogic 公司的网站: <http://www.scanning.datalogic.com/>。

Japanese

廃電気電子機器 (WEEE) の処理についての関連事項は Datalogic のサイト <http://www.scanning.datalogic.com/>, をご参照下さい。

NOTES



Datalogic Scanning, Inc.
959 Terry Street
Eugene, OR 97402



dichiara che
declares that the
déclare que le
bescheinigt, daß das Gerät
declare que el

BC 8030-BT Base Charger

e tutti i suoi modelli
and all its models
et tous ses modèles
und seine Modelle
y todos sus modelos

sono conformi alla Direttiva del Consiglio Europeo sottoelencata:
are in conformity with the requirements of the European Council Directive listed below:
sont conformes aux spécifications de la Directive de l'Union Européenne ci-dessous:
der nachstehenden angeführten Direktive des Europäischen Rats entsprechen:
cumple con los requisitos de la Directiva del Consejo Europeo, según la lista siguiente:

1999/5/EEC R&TTE

Questa dichiarazione è basata sulla conformità dei prodotti alle norme seguenti:
This declaration is based upon compliance of the products to the following standards:
Cette déclaration repose sur la conformité des produits aux normes suivantes:
Diese Erklärung basiert darauf, daß das Produkt den folgenden Normen entspricht:
Esta declaración se basa en el cumplimiento de los productos con las siguientes normas:

- | | |
|---|--|
| ETSI EN 301 489-3 v1.4.1, August 2002: | ElectroMagnetic Compatibility and Radio spectrum Matters (ERM); ElectroMagnetic Compatibility (EMC) standard for radio equipment and services; Part 3: Specific conditions for Short-Range Devices (SRD) operating on frequencies between 9 kHz and 40 GHz |
| ETSI EN 300 220-3 v1.1.1, September 2000: | Electromagnetic compatibility and Radio spectrum Matters (ERM); Short Range Devices (SRD); Radio equipment to be used in the 25 MHz to 1000 MHz frequency range with power levels ranging up to 500 mW; Part 3: Harmonized EN covering essential requirements under article 3.2 of the R&TTE Directive |
| EN 60950-1, December 2001: | INFORMATION TECHNOLOGY EQUIPMENT – SAFETY –
Part 1: General requirements |

December 20th, 2007

Australia

Datalogic Scanning Pty Ltd
Telephone: [61] (2) 9870 3200
australia.scanning@datalogic.com

France and Benelux

Datalogic Scanning SAS
Telephone: [33].01.64.86.71.00
france.scanning@datalogic.com

Germany

Datalogic Scanning GmbH
Telephone: 49 (0) 61 51/93 58-0
germany.scanning@datalogic.com

India

Datalogic Scanning India
Telephone: 91- 22 - 64504739
india.scanning@datalogic.com

Italy

Datalogic Scanning SpA
Telephone: [39] (0) 39/62903.1
italy.scanning@datalogic.com

Japan

Datalogic Scanning KK
Telephone: 81 (0)3 3491 6761
japan.scanning@datalogic.com

Latin America

Datalogic Scanning, Inc
Telephone: (305) 742-2206
latinamerica.scanning@datalogic.com

Singapore

Datalogic Scanning Singapore PTE LTD
Telephone: (65) 6435-1311
singapore.scanning@datalogic.com

Iberia

Datalogic Scanning SAS Sucursal en España
Telephone: 34 91 746 28 60
spain.scanning@datalogic.com

United Kingdom

Datalogic Scanning LTD
Telephone: 44 (0) 1582 464900
uk.scanning@datalogic.com



www.scanning.datalogic.com

Datalogic Scanning, Inc.

959 Terry Street
Eugene, OR 97402
USA
Telephone: (541) 683-5700
Fax: (541) 345-7140

